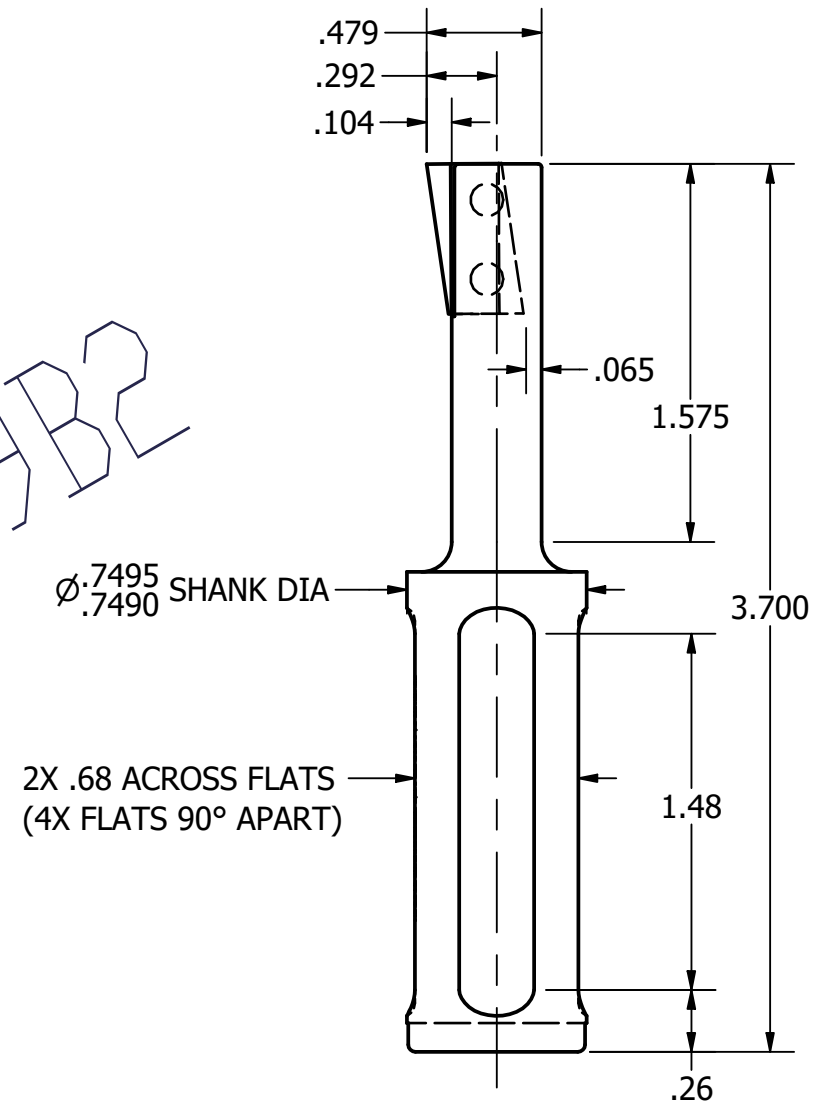
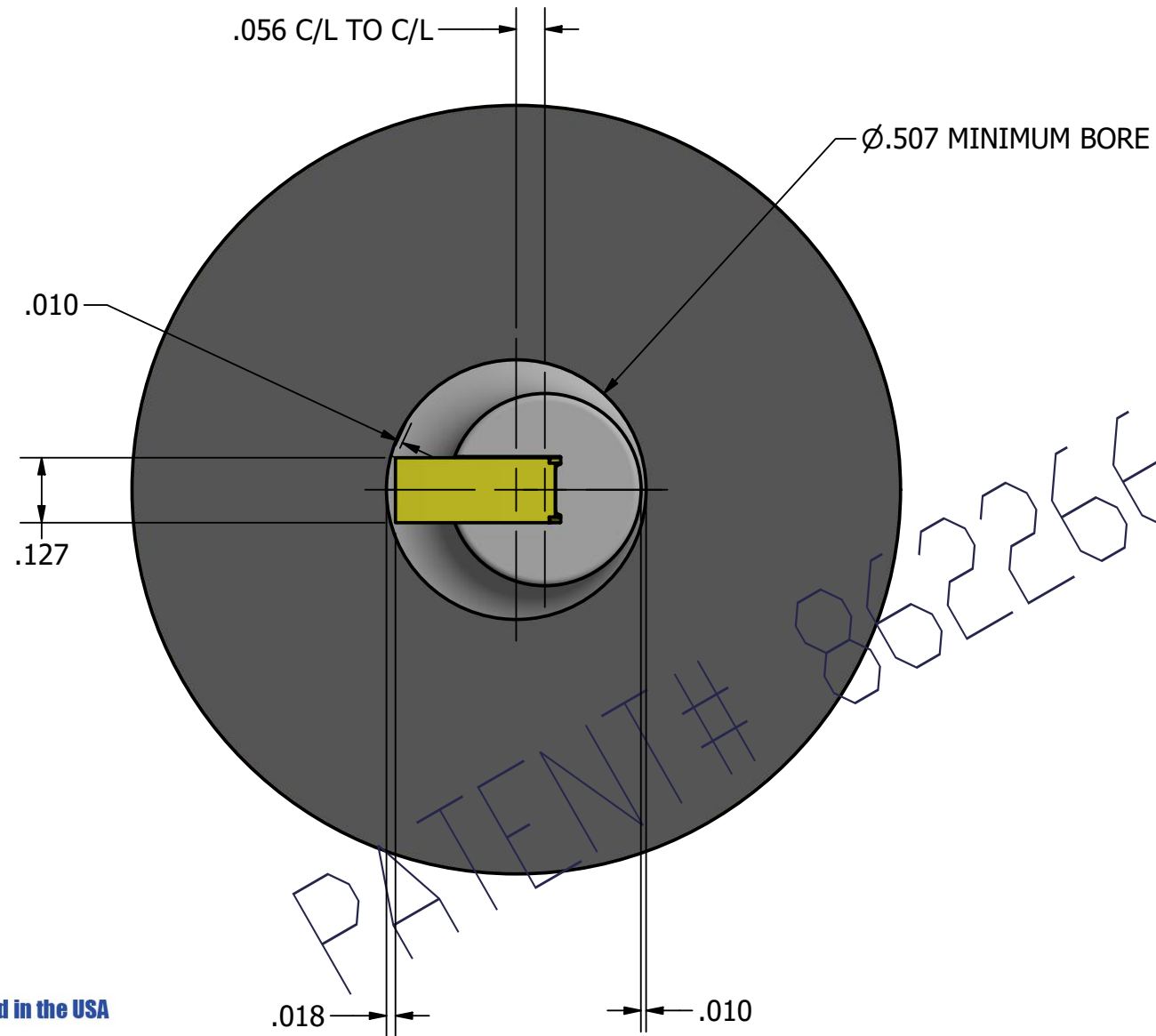


More Programming Information available at [www.cncbroachtools.com](http://www.cncbroachtools.com)



The Only Inserted CNC Broaching System Manufactured in the USA



The Design of CNC Broach Tools and Inserts are Proprietary and Protected by USA Patent #8,622,669,B2

CNC Broach Tool LLC  
sales@cncbroachtools.com

877-248-1631  
www.cncbroachtools.com

PATENT# 8622669B2

PROPRIETARY AND CONFIDENTIAL  
THE INFORMATION CONTAINED IN THIS DRAWING IS THE SOLE PROPERTY OF CNC BROACH TOOL. ANY REPRODUCTION IN PART OR AS A WHOLE WITHOUT THE WRITTEN PERMISSION OF CNC BROACH IS PROHIBITED.

| UNLESS OTHERWISE SPECIFIED:          |  | NAME      | DATE         |
|--------------------------------------|--|-----------|--------------|
| DIMENSIONS ARE IN INCHES             |  | DRAWN     | SMA 11/14/20 |
| TOLERANCES:                          |  | CHECKED   | XX XX/XX/XX  |
| FRACTIONAL ± .005                    |  | ENG APPR. |              |
| ANGULAR: MAXIMUM BEND ± .010         |  | MFG APPR. |              |
| TWO PLACE DECIMAL ± .010             |  | Q/A       |              |
| THREE PLACE DECIMAL ± .005           |  | COMMENTS: |              |
| INTERPRET GEOMETRIC TOLERANCING PER: |  |           |              |
| MATERIAL 17-4PH S.S.                 |  |           |              |
| FINISH BLACK OXIDE                   |  |           |              |
| DO NOT SCALE DRAWING                 |  |           |              |



|                                   |                  |              |  |
|-----------------------------------|------------------|--------------|--|
| TITLE:<br>T18L BROACH TOOL DETAIL |                  |              |  |
| SIZE<br>B                         | DWG. NO.<br>T18L | REV<br>B     |  |
| WEIGHT:                           |                  | SHEET 1 OF 1 |  |