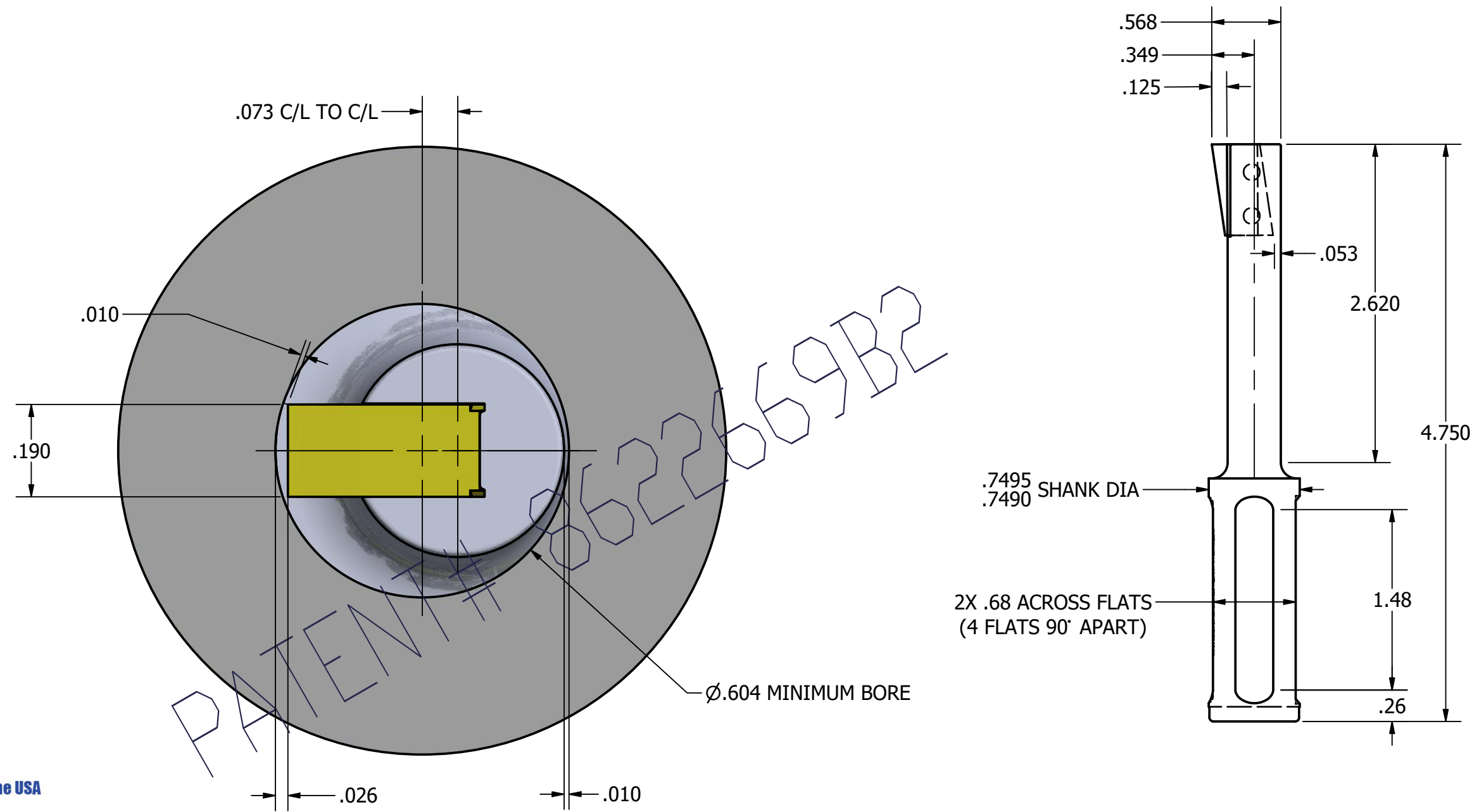


More Programming Information available at www.cncbroachtools.com



The Only Inserted CNC Broaching System Manufactured in the USA



The Design of CNC Broach Tools and Inserts are Proprietary and Protected by USA Patent #8,622,669,B2

CNC Broach Tool LLC
sales@cncbroachtools.com

877-248-1631
www.cncbroachtools.com

PATENT# 8622669B2

PROPRIETARY AND CONFIDENTIAL
THE INFORMATION CONTAINED IN THIS DRAWING IS THE SOLE PROPERTY OF CNC BROACH TOOL LLC. ANY REPRODUCTION IN PART OR AS A WHOLE WITHOUT THE WRITTEN PERMISSION OF CNC BROACH TOOL LLC IS PROHIBITED.

UNLESS OTHERWISE SPECIFIED:		NAME	DATE
DIMENSIONS ARE IN INCHES		DRAWN	SMA 07/07/20
TOLERANCES:		CHECKED	XX XX/XX/XX
FRACTIONAL $\pm .005$		ENG APPR.	
DECIMAL $\pm .005$		MFG APPR.	
ANGULAR: MAXIMUM BEND $\pm .010$		Q & A	
TWO PLACE DECIMAL $\pm .005$		COMMENTS:	
THREE PLACE DECIMAL $\pm .005$			
INTERPRET GEOMETRIC TOLERANCING PER:			
MATERIAL 17-4PH S.S.			
FINISH BLACK OXIDE			
DO NOT SCALE DRAWING			



TITLE: T316L BROACH TOOL DETAIL			
SIZE	DWG. NO.	REV	
B	T316L	B	
WEIGHT:		SHEET 1 OF 1	