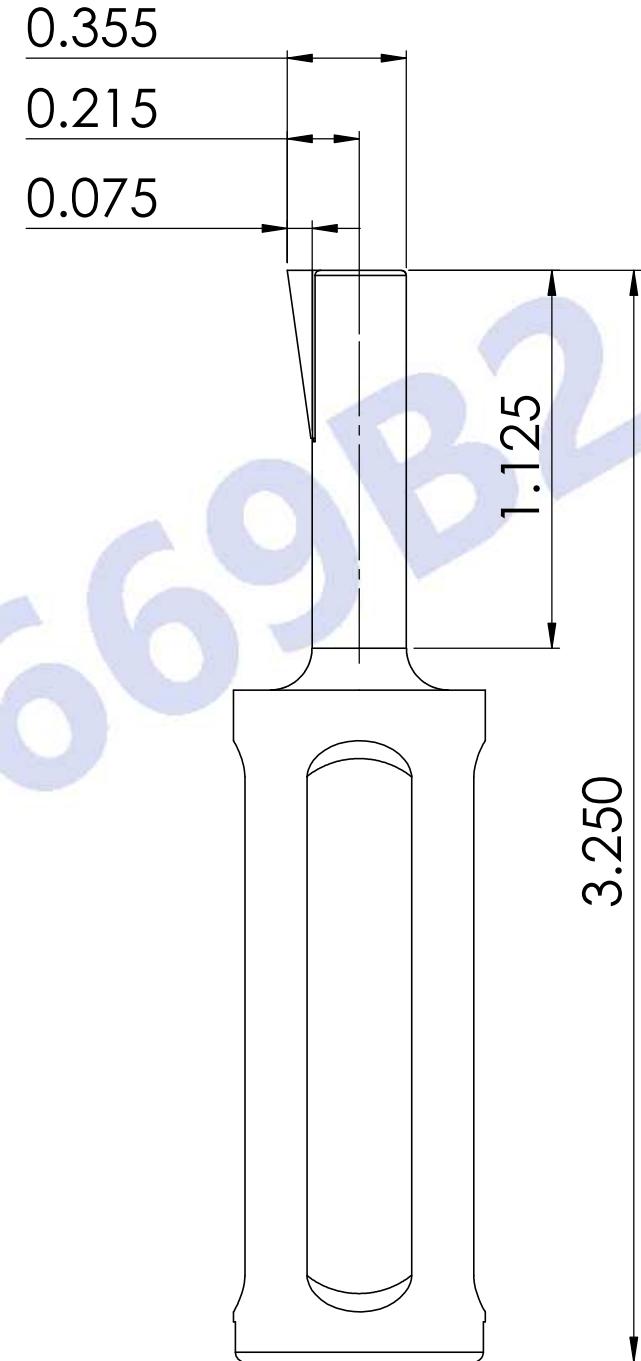
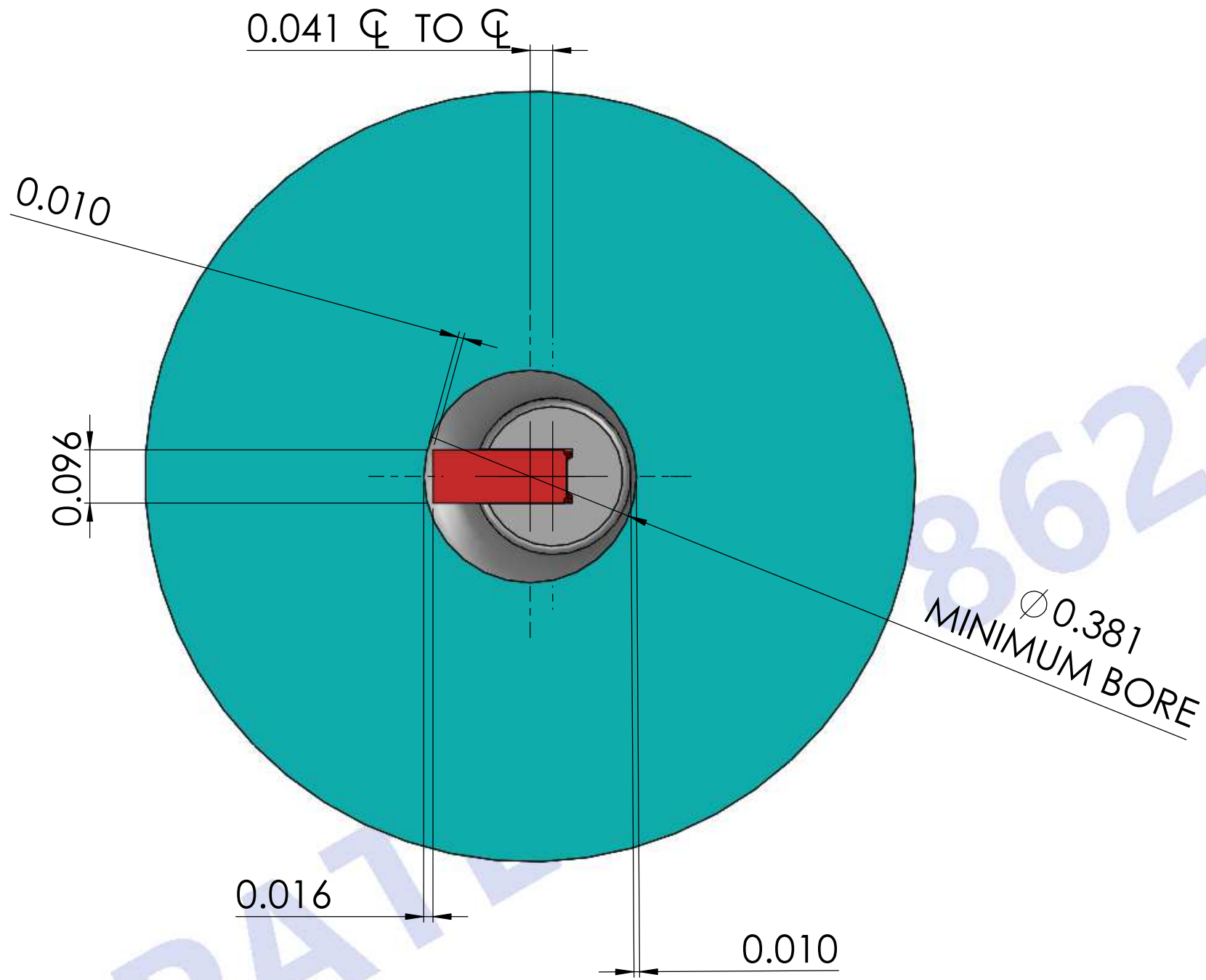


8 7 6 5 4 3 2 1

D
C
B
A

D
C
B
A



PATENT# 8622669B2

PROPRIETARY AND CONFIDENTIAL
THE INFORMATION CONTAINED IN THIS DRAWING IS THE SOLE PROPERTY OF CNC BROACH. ANY REPRODUCTION IN PART OR AS A WHOLE WITHOUT THE WRITTEN PERMISSION OF CNC BROACH IS PROHIBITED.

| UNLESS OTHERWISE SPECIFIED: | | NAME | DATE |
|--|--|-----------|--------------|
| DIMENSIONS ARE IN INCHES | | DRAWN | TWW 7/29/17 |
| TOLERANCES: | | CHECKED | LJW 2/4/2018 |
| FRACTIONAL \pm | | ENG APPR. | |
| ANGULAR: MACH $\pm 1^\circ$ BEND \pm | | MFG APPR. | |
| TWO PLACE DECIMAL $\pm .010$ | | Q.A. | |
| THREE PLACE DECIMAL $\pm .005$ | | COMMENTS: | |
| INTERPRET GEOMETRIC TOLERANCING PER: | | | |
| MATERIAL | | | |
| 17-4PH S.S. | | | |
| FINISH | | | |
| BLACK OXIDE | | | |
| DO NOT SCALE DRAWING | | | |



| | | |
|---------------------------------|----------|--------------|
| TITLE: T332L Broach Tool Detail | | |
| SIZE | DWG. NO. | REV |
| B | T332L | A |
| SCALE: 1:1 | WEIGHT: | SHEET 1 OF 1 |

8 7 6 5 4 3 2 1