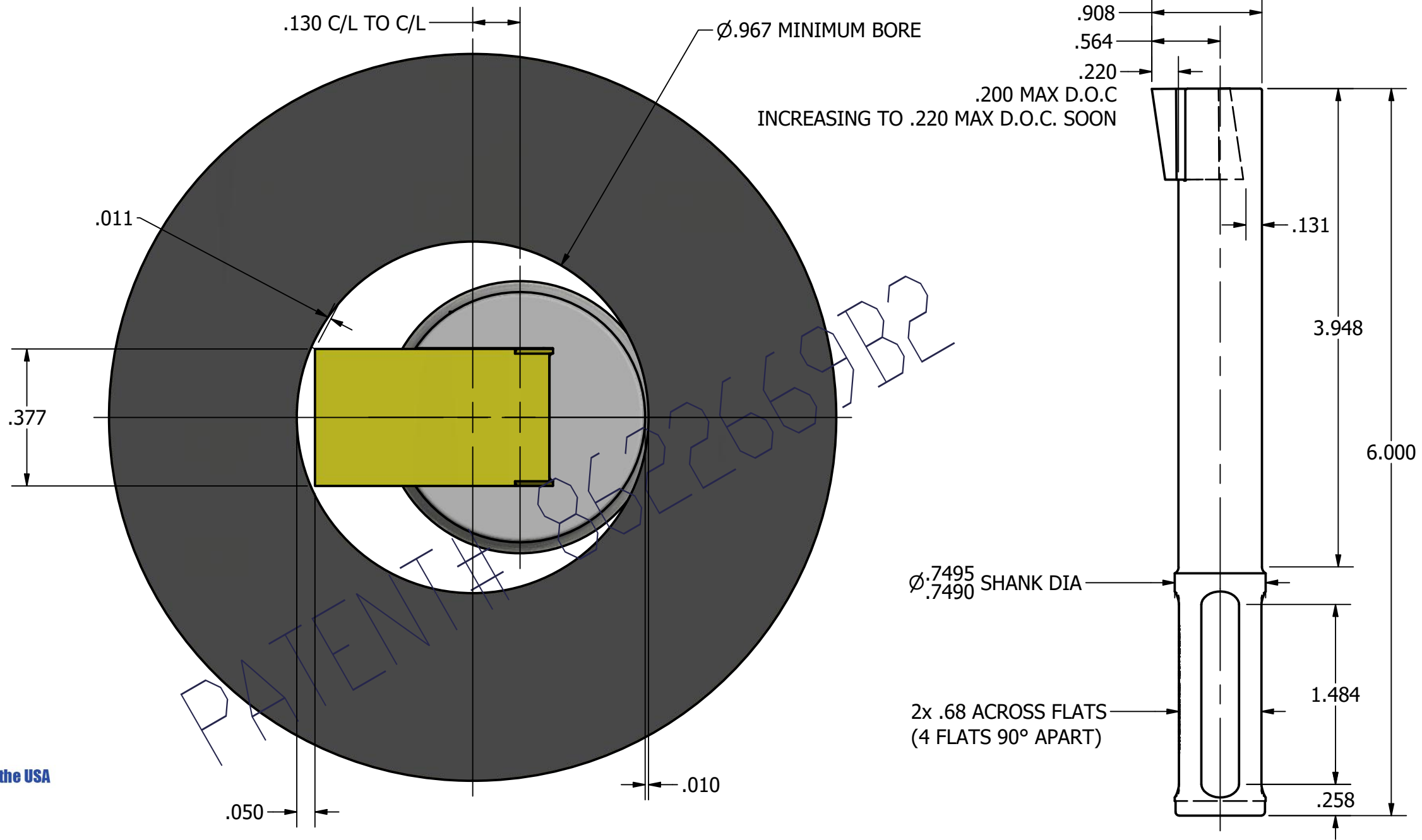


More Programming Information available at www.cncbroachtools.com



The Only Inserted CNC Broaching System Manufactured in the USA



The Design of CNC Broach Tools and Inserts are Proprietary and Protected by USA Patent #8,622,669,B2

CNC Broach Tool LLC
sales@cncbroachtools.com

877-248-1631
www.cncbroachtools.com

PATENT# 8622669B2

PROPRIETARY AND CONFIDENTIAL
THE INFORMATION CONTAINED IN THIS DRAWING IS THE SOLE PROPERTY OF CNC BROACH TOOL. ANY REPRODUCTION IN PART OR AS A WHOLE WITHOUT THE WRITTEN PERMISSION OF CNC BROACH IS PROHIBITED.

UNLESS OTHERWISE SPECIFIED:		NAME	DATE
DIMENSIONS ARE IN INCHES		DRAWN	SMA 11/14/20
TOLERANCES:		CHECKED	XX XX/XX/XX
FRACTIONAL ± .005		ENG APPR.	
DECIMAL ± .005		MFG APPR.	
ANGULAR ± .010		Q & A	
BEND ± .010		COMMENTS:	
TWO PLACE DECIMAL ± .010			
THREE PLACE DECIMAL ± .005			
INTERPRET GEOMETRIC TOLERANCING PER:			
MATERIAL 17-4PH S.S.			
FINISH BLACK OXIDE			
DO NOT SCALE DRAWING			



TITLE: T38L BROACH TOOL DETAIL		
SIZE B	DWG. NO. T38L	REV B
WEIGHT:		SHEET 1 OF 1