

8

7

6

5

4

3

2

1

D

D

C

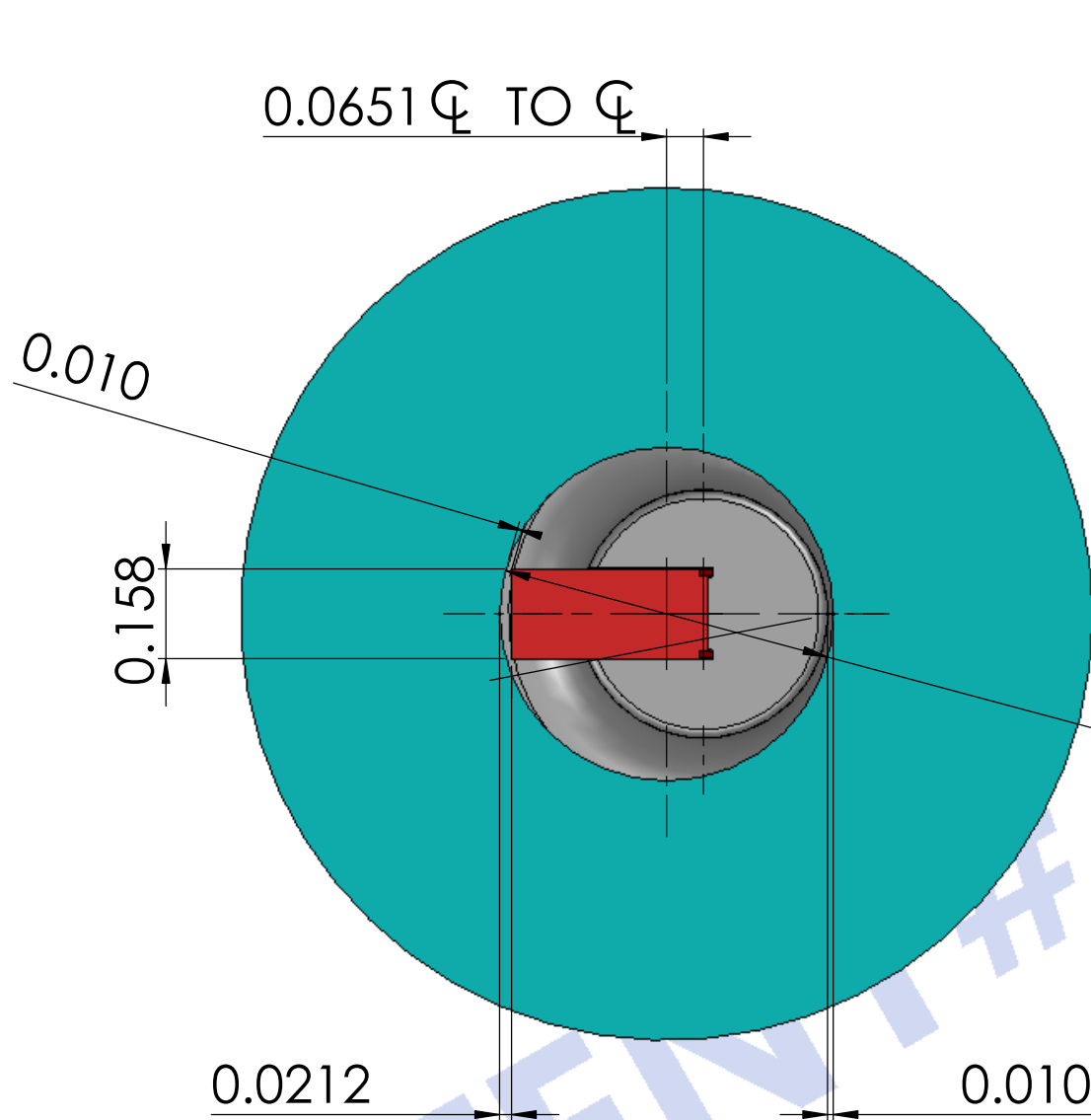
C

B

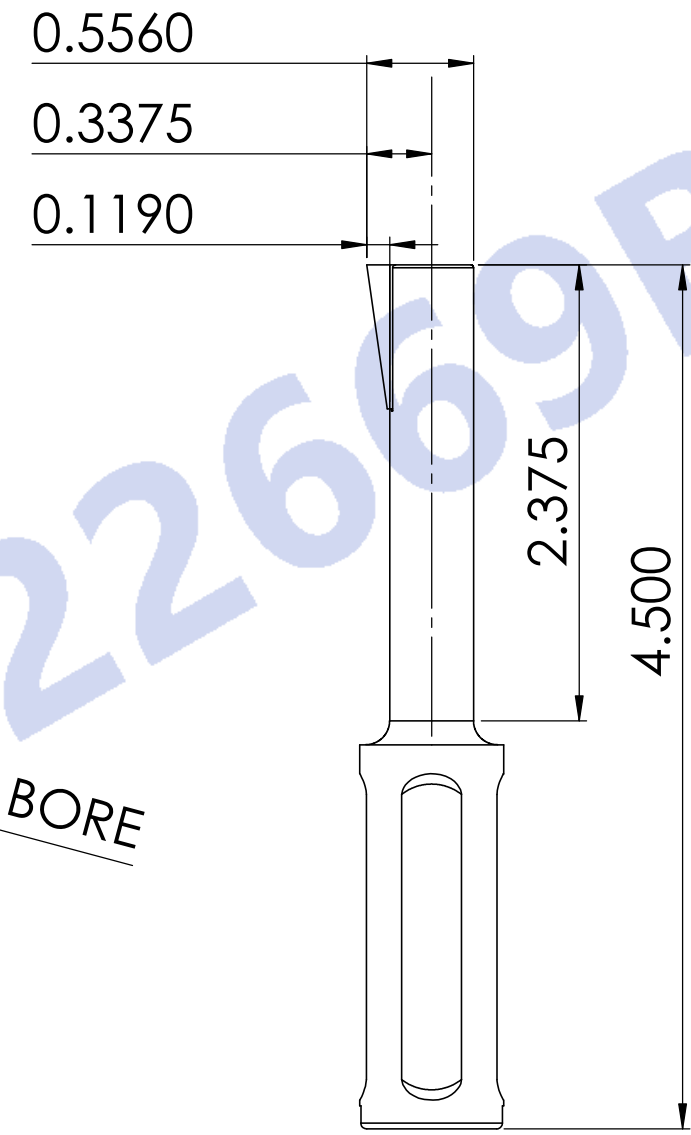
B

A

A




$\phi$  0.5872  
MINIMUM BORE



PATENT# 8622669B2

PATENT# 8622669B2

**PROPRIETARY AND CONFIDENTIAL**  
THE INFORMATION CONTAINED IN THIS DRAWING IS THE SOLE PROPERTY OF CNC BROACH. ANY REPRODUCTION IN PART OR AS A WHOLE WITHOUT THE WRITTEN PERMISSION OF CNC BROACH IS PROHIBITED.

UNLESS OTHERWISE SPECIFIED:		NAME	DATE		
DIMENSIONS ARE IN INCHES		DRAWN	TWW		7/8/17
TOLERANCES:		CHECKED	LJW		2/4/18
FRACTIONAL $\pm$		ENG APPR.			
ANGULAR: MACH $\pm 1^\circ$ BEND $\pm$		MFG APPR.			
TWO PLACE DECIMAL $\pm .010$		Q.A.			
THREE PLACE DECIMAL $\pm .005$		COMMENTS:			
INTERPRET GEOMETRIC TOLERANCING PER:					
MATERIAL		17-4PH S.S.			
FINISH		BLACK OXIDE			
DO NOT SCALE DRAWING					
TITLE:		T4MML Broach Holder Details			
SIZE	DWG. NO.	REV			
<b>B</b>	<b>T4MML</b>	<b>A</b>			
SCALE: 1:1	WEIGHT:	SHEET 1 OF 1			