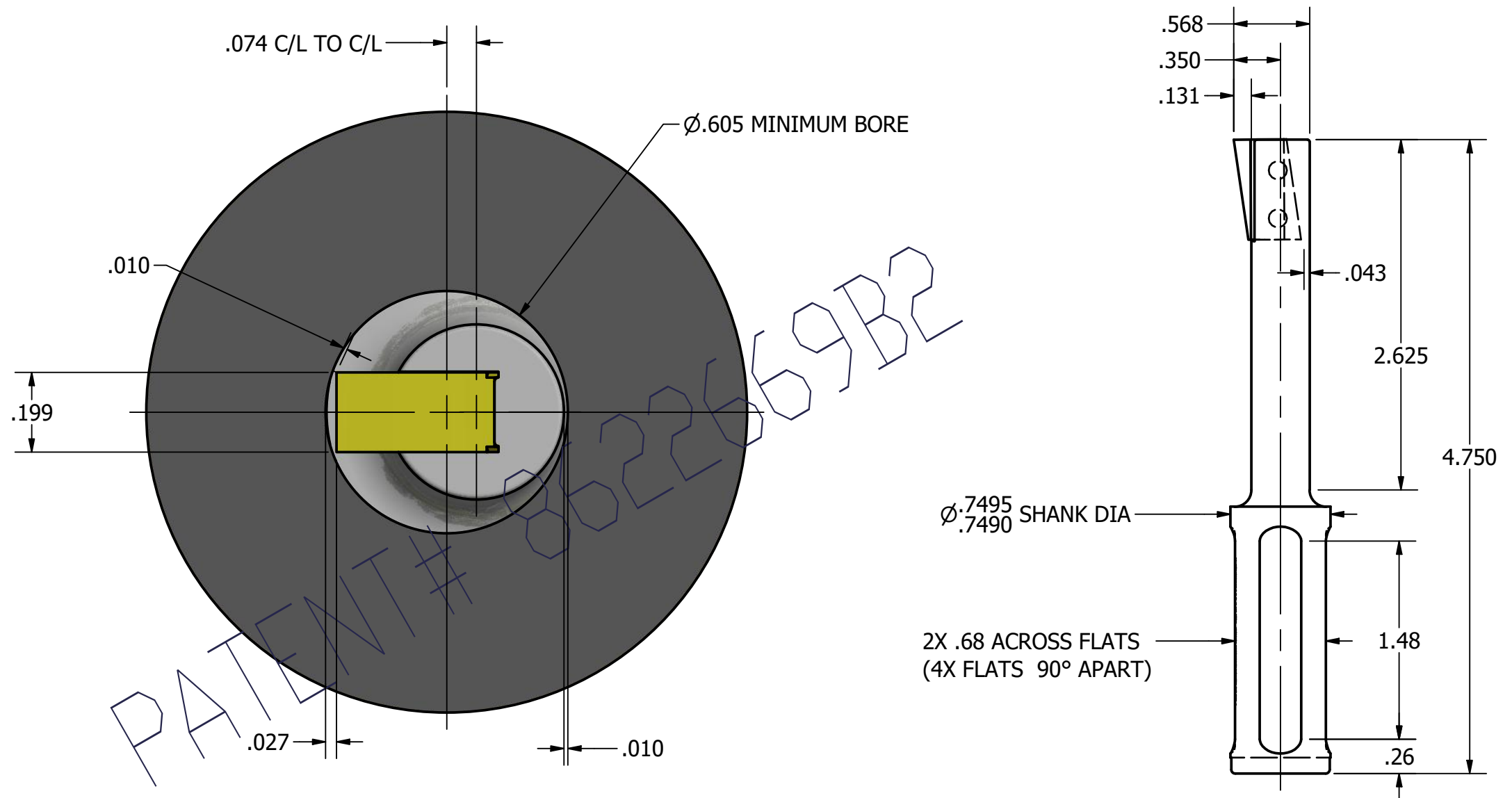


More Programming Information available at [www.cncbroachtools.com](http://www.cncbroachtools.com)



The Only Inserted CNC Broaching System Manufactured in the USA



The Design of CNC Broach Tools and Inserts are Proprietary and Protected by USA Patent #8,622,669,B2

CNC Broach Tool LLC  
sales@cncbroachtools.com

877-248-1631  
www.cncbroachtools.com

PATENT# 8622669B2

PROPRIETARY AND CONFIDENTIAL  
THE INFORMATION CONTAINED IN THIS DRAWING IS THE SOLE PROPERTY OF CNC BROACH TOOL LLC. ANY REPRODUCTION IN PART OR AS A WHOLE WITHOUT THE WRITTEN PERMISSION OF CNC BROACH TOOL LLC IS PROHIBITED.

UNLESS OTHERWISE SPECIFIED:		NAME	DATE
<del>DIMENSIONS ARE IN INCHES</del>		DRAWN	SMA 11/14/20
<del>TOLERANCES:</del>		CHECKED	XX XX/XX/XX
<del>FRACTIONAL ±</del>		ENG APPR.	
<del>ANGULAR: MAXIMUM ±</del>		MFG APPR.	
<del>TWO PLACE DECIMAL ± .010</del>		Q & A	
<del>THREE PLACE DECIMAL ± .005</del>		COMMENTS:	
INTERPRET GEOMETRIC TOLERANCING PER:			
MATERIAL			
17-4PH S.S.			
FINISH			
BLACK OXIDE			
DO NOT SCALE DRAWING			



TITLE: T5MML BROACH TOOL DETAIL			
SIZE	DWG. NO.	REV	
B	T5MML	B	
WEIGHT:			SHEET 1 OF 1