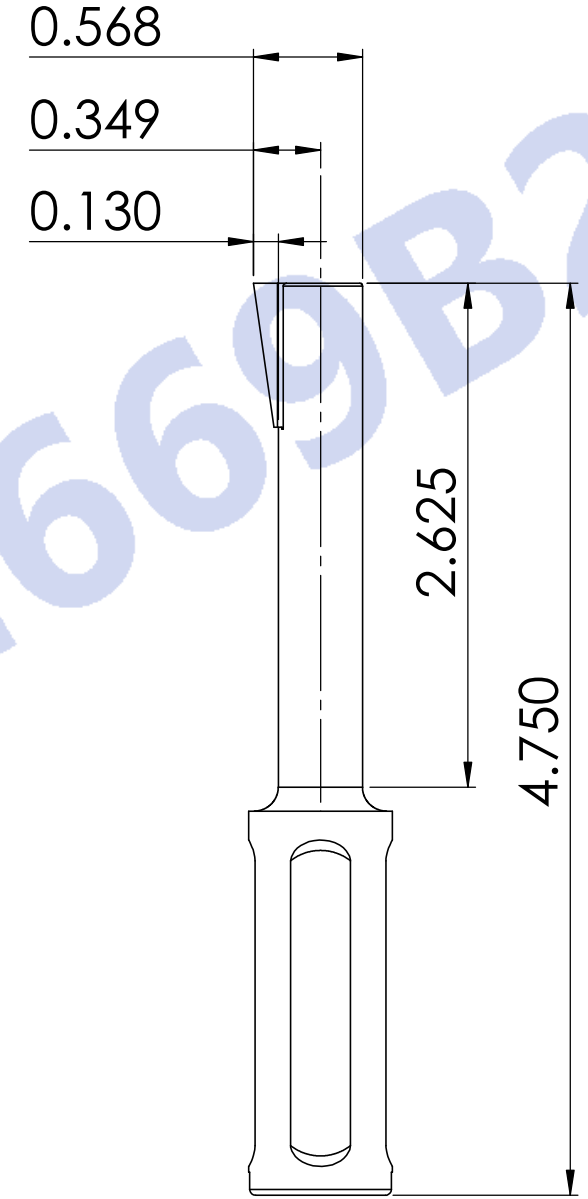
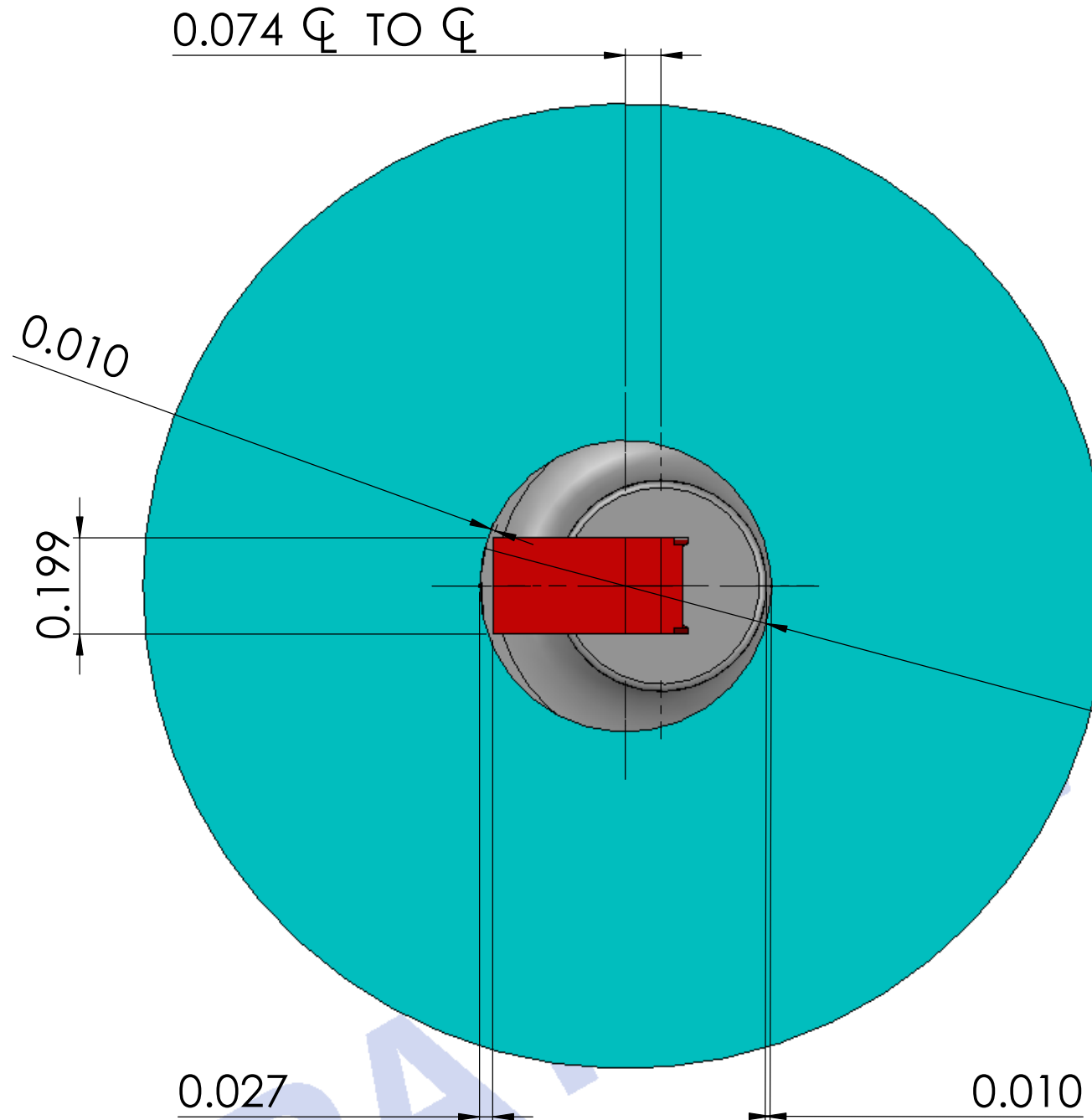


8 7 6 5 4 3 2 1

D
C
B
A

D
C
B
A



PATENT# 8622669B2

PATENT# 8622669B2

PROPRIETARY AND CONFIDENTIAL
THE INFORMATION CONTAINED IN THIS DRAWING IS THE SOLE PROPERTY OF CNC BROACH. ANY REPRODUCTION IN PART OR AS A WHOLE WITHOUT THE WRITTEN PERMISSION OF CNC BROACH IS PROHIBITED.

UNLESS OTHERWISE SPECIFIED:		NAME	DATE
DIMENSIONS ARE IN INCHES		DRAWN	TWW 7/8/17
TOLERANCES:		CHECKED	LJW 2/4/18
FRACTIONAL \pm		ENG APPR.	
ANGULAR: MACH $\pm 1^\circ$ BEND \pm		MFG APPR.	
TWO PLACE DECIMAL $\pm .010$		Q.A.	
THREE PLACE DECIMAL $\pm .005$		COMMENTS:	
INTERPRET GEOMETRIC TOLERANCING PER:			
MATERIAL			
17-4PH S.S.			
FINISH			
BLACK OXIDE			
DO NOT SCALE DRAWING			



TITLE: T5MML Broach Holder Details		
SIZE	DWG. NO.	REV
B	T5MML	A
SCALE: 1:2	WEIGHT:	SHEET 1 OF 1